



Features of the Affordable Generator 6KW Unit

Programmable digital Controller / Auto Transfer switch for Standby power / Electric start / low fuel consumption / low vibration / Compact enclosure / wheels and tool kit included / battery included/ all manuals included/ EPA Certification

Automatic Transfer Switch and Digital Programmable controller.



*Automatic Transfer Switch
Digital Programmable Controller*



Generator Specifications Features:

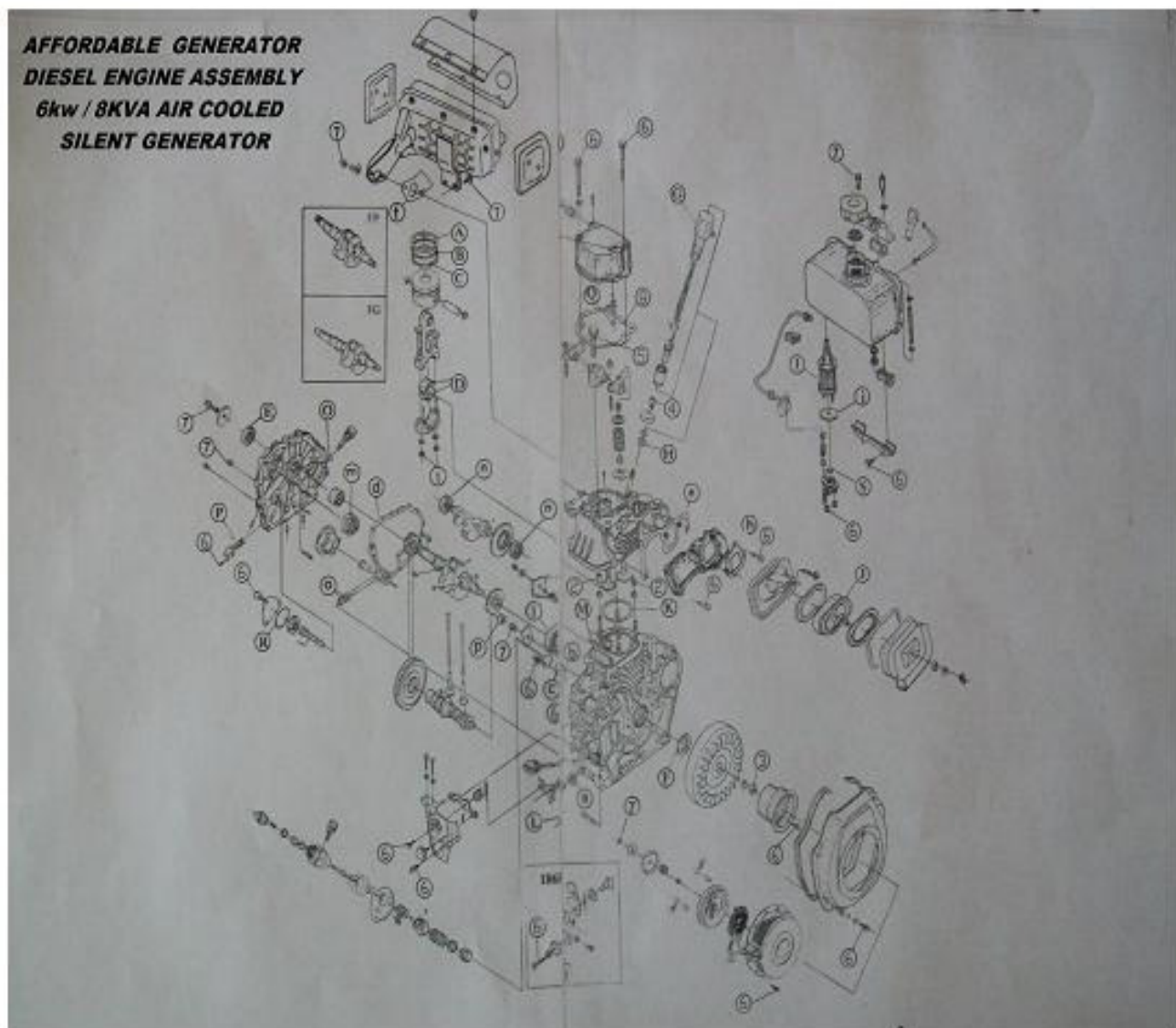
- Type - Brushless type single phase*
- Direct Injection Vertical, 4 cycle, air cooled*
- 25.51 cubic inch displacement*
- 4.3 gallon fuel tank*
- Bore (3.4 in) x Stroke (2.8 in)*
- Voltage - 240 VAC, 60 Hz*
- Output - Rated Output 9kw*
- Voltage Regulation - Equipped with Auto Voltage Regulator*
- Protection - Protects against overload and short circuit*
- Electric start*
- 12 hour constant operation*
- Amp - 45 amp 2 A*
- Coupling- Direct*



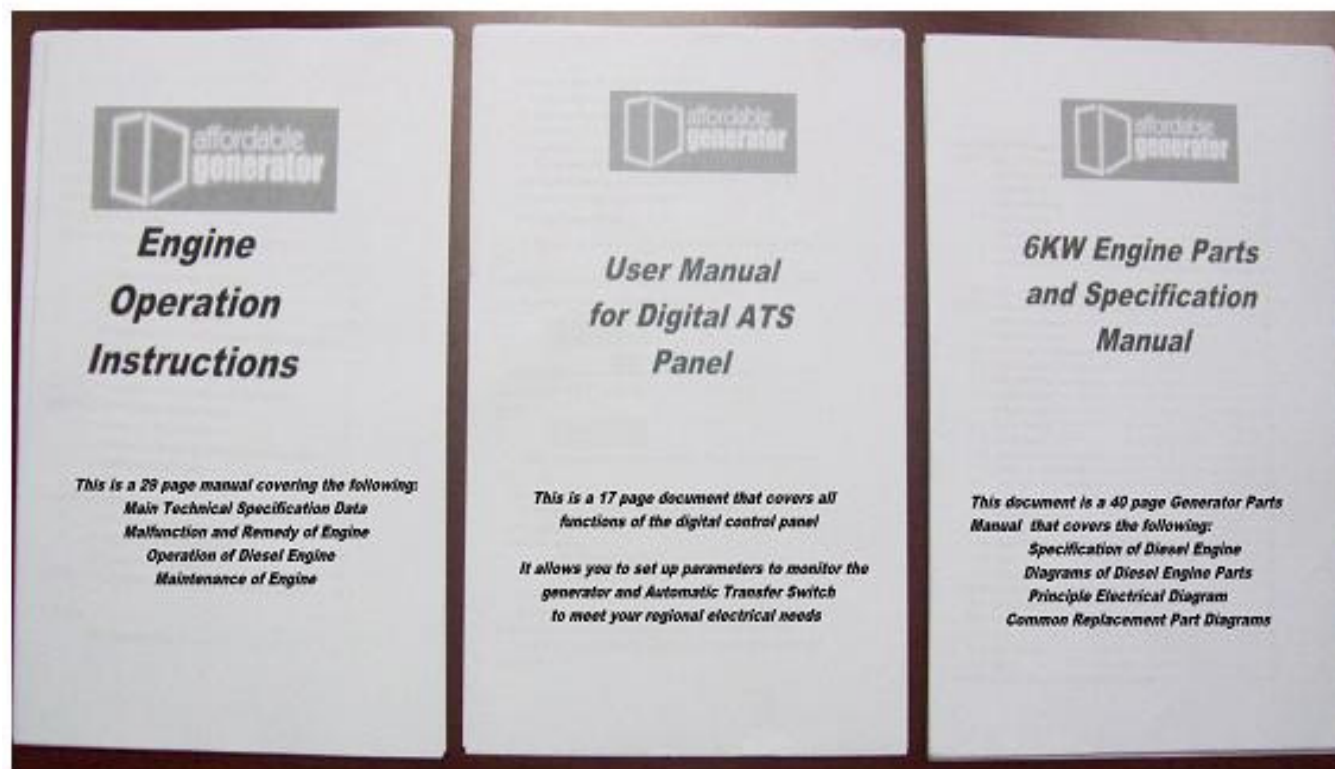
Affordable Generator ***6KW / 8KVA Silent Diesel Generator*** ***Digital Control Panel and Transfer Switch***

Affordable Generator will provide you with a generator that can be serviced and maintained for long lasting reliable use. Why buy a cheap generator that has no support or the ability to buy parts. We provide documentation that will allow you to maintain the generator. We built our generator with maintenance and service in mind. This generator comes with a complete engine specification manual that specifies every part used in our engine. It is complete with drawings, and part numbers that will allow you to order whatever replacement parts you may need.

We provide complete documentation for this Generator



Included with your generator is the following Documentation



Example of Documentation and Support

Most Common Replacement Parts for 6KW Diesel Generator

O RINGS AND SEALS/ Part Numbers Affordable Generator Price List

<i>AFF8604100</i>	<i>Oil Ring Set</i>	<i>\$ 5.90</i>
<i>AFF8604001</i>	<i>First Gas Ring</i>	<i>\$ 5.90</i>
<i>AFF8604002</i>	<i>Second Gas Ring</i>	<i>\$ 5.90</i>
<i>AFF9701351</i>	<i>Oil Seals SG35X50X10</i>	<i>\$ 3.90</i>
<i>AFF8613000</i>	<i>Nozzle Valve</i>	<i>\$15.20</i>
<i>AFF7002011</i>	<i>Spacer</i>	<i>\$ 4.00</i>
<i>AFF8610300</i>	<i>Filter Element Assembly</i>	<i>\$ 5.90</i>
<i>AFF8607100</i>	<i>Air Cleaner Gasket</i>	<i>\$ 4.60</i>
<i>AFF8601013</i>	<i>Sealing Head Gasket</i>	<i>\$ 4.75</i>
<i>AFF7011008</i>	<i>Oil Seal SG8X14X2.5</i>	<i>\$ 3.60</i>
<i>AFF8601008</i>	<i>Ring</i>	<i>\$ 3.60</i>
<i>AFF9702010</i>	<i>O-Ring 10x1.9</i>	<i>\$ 3.30</i>
<i>AFF9702024</i>	<i>O-RING24X2.4</i>	<i>\$ 3.30</i>
<i>AFF9702025</i>	<i>O-RING25X2.4</i>	<i>\$ 3.30</i>
<i>AFF9702012</i>	<i>O-RING 12 X 1.9</i>	<i>\$ 3.30</i>

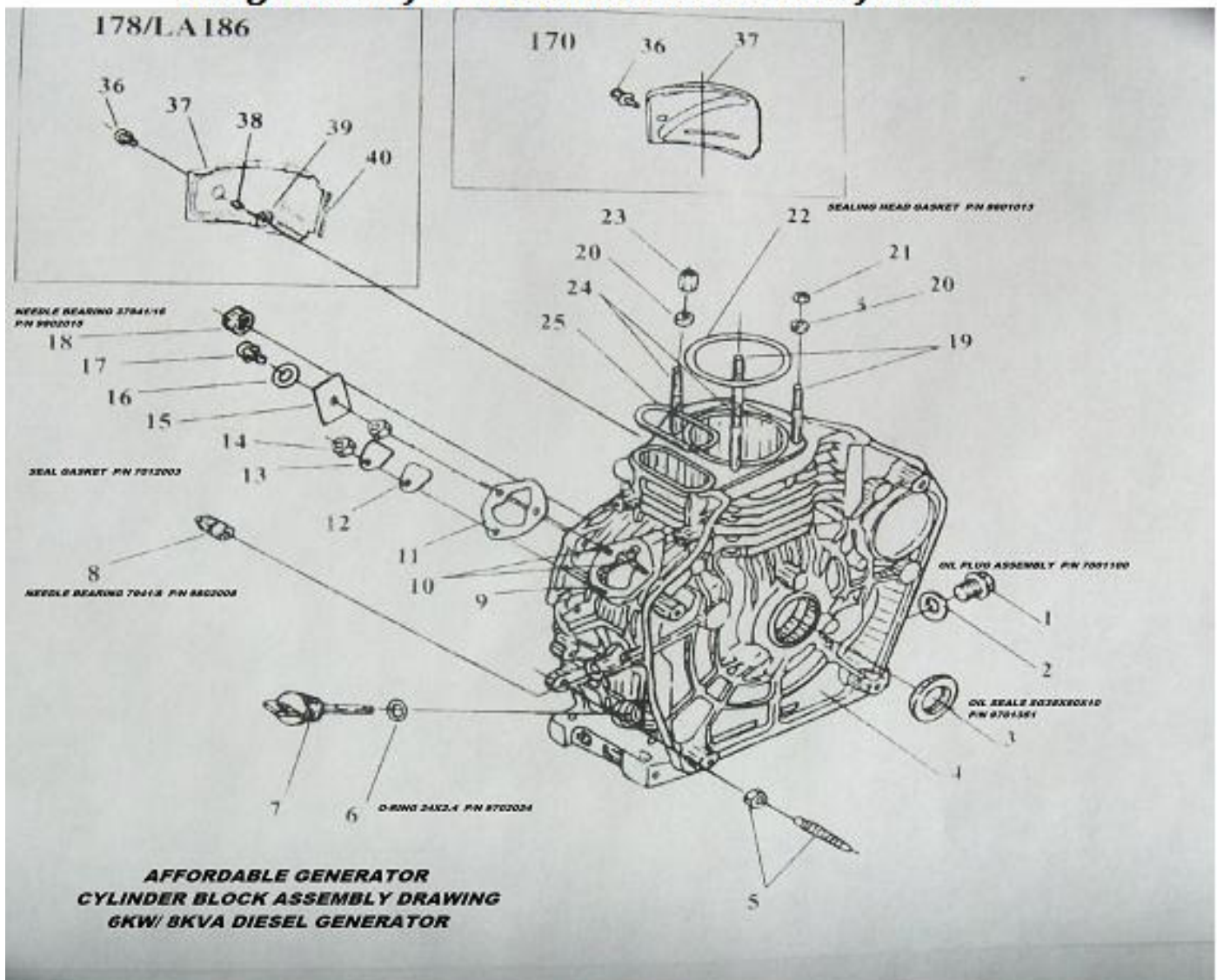
GASKET SETS Part Numbers

AFF7001100	OIL PLUG ASSEMBLY	\$ 3.35
AFF7012001	FUEL INJECTION PUMP GASKET	\$ 4.80
AFF7012002	SEAL GASKET	\$ 3.35
AFF8601015	CRANK CASE GASKET	\$ 4.80
AFF8602014	AIR INTAKE GASKET	\$ 4.80
AFF8602015	SILENCER GASKET	\$ 4.80
AFF8603003	BONNET GASKET	\$ 4.80
AFF8607001	AIR CLEANER GASKET	\$ 4.80
AFF7010007	FUEL OIL FILTER GASKET	\$ 3.60

BEARINGS Part Numbers

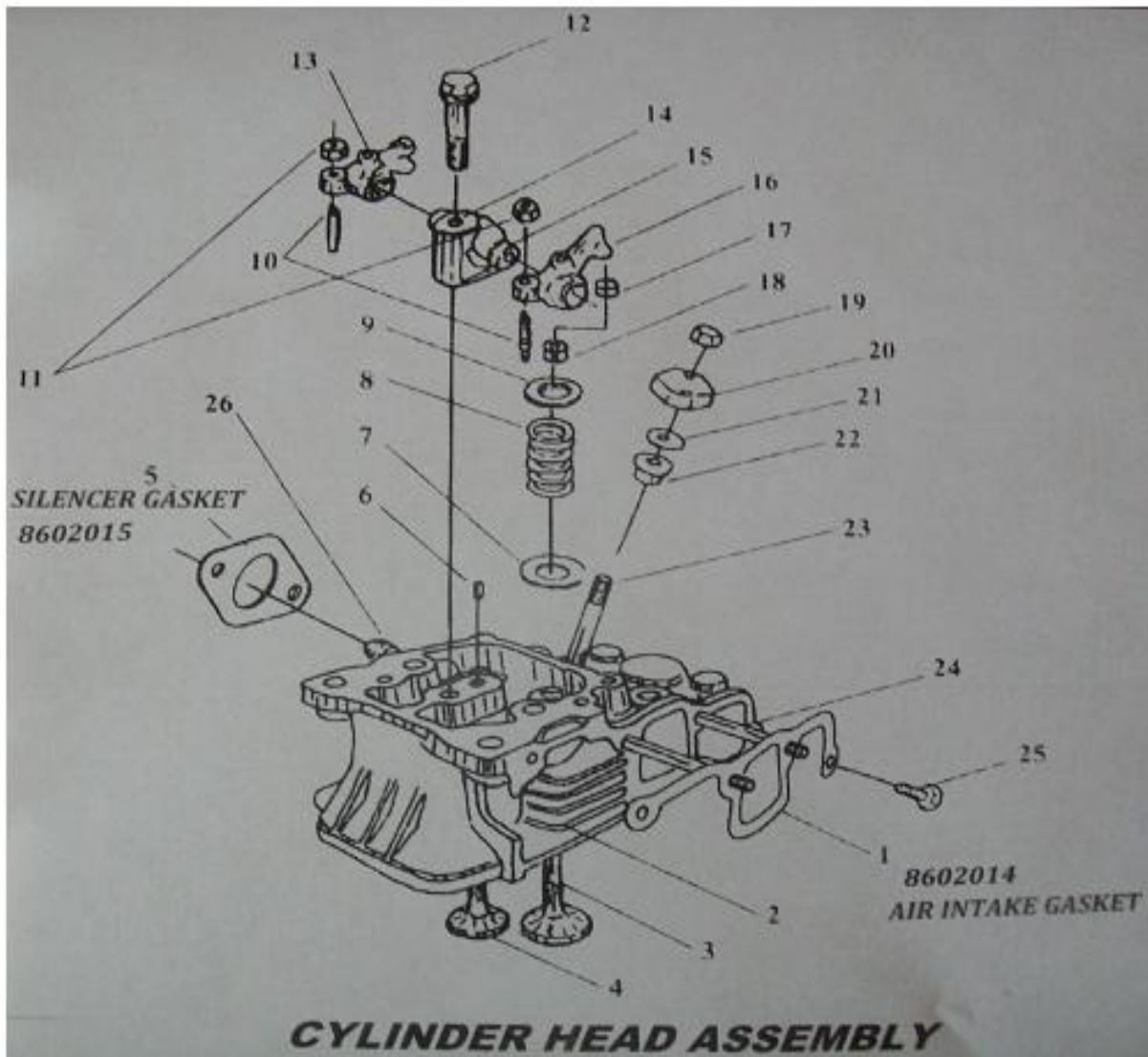
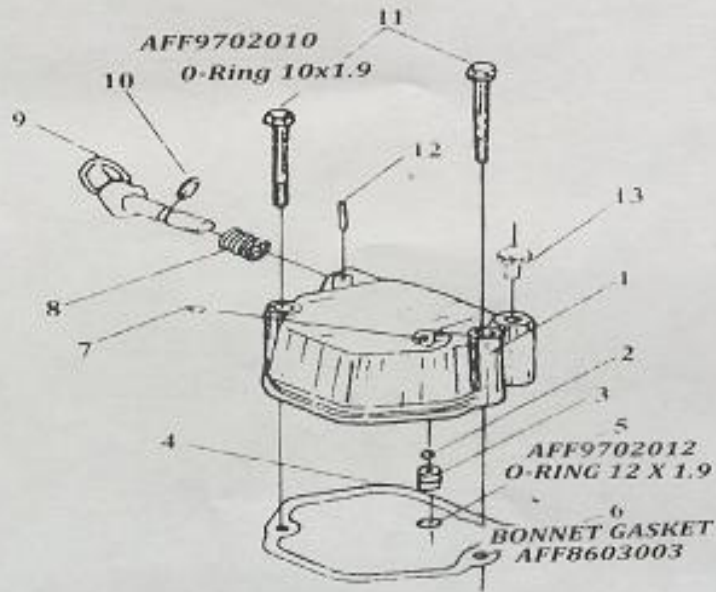
AFF09801308	BALL BEARING D308	\$10.52
AFF09801203	BALL BEARING 207	\$ 5.75
AFF09802008	NEEDLE BEARING 7941/8	\$ 3.50
AFF09802015	NEEDLE BEARING 37941 /15	\$ 3.50

Diagrams of where these Parts are found

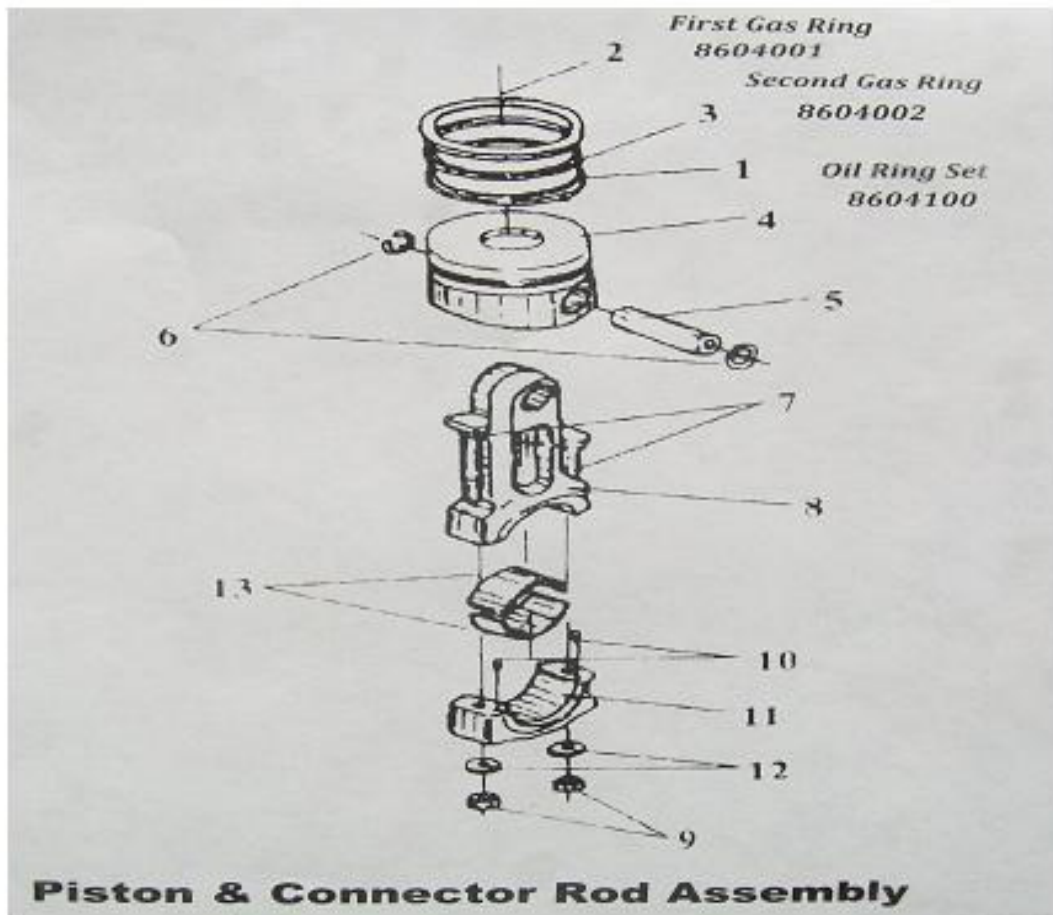


CYLINDER HEAD BONNET ASSEMBLY

186



CYLINDER HEAD ASSEMBLY



This Affordable Generator is designed to give you total value that you will not find in cheaper imports. This is a reliable unit that is backed by full documentation on the generator, digital controller, and transfer switch. This unit can be serviced by any generator service repair organization that works on diesel engines. We provide all the parts that are needed for repair. Do not waste your money on a generator that can not be serviced.



We will provide you the lowest rate on shipping. 37"x 23" x 30" freight class 65 weight 375lbs. Call for freight quote to your location.